



Sales Lead Internal	
No.:	01/10
Date:	28.05.2010
Name:	Sven Rahmlow
Pages:	4

## ■ NEW PRODUCT Rotary Feed Through Coolant Arbor

### Product information:

New Rotary Feed Through Coolant Arbor is suitable not only for optimized application of SPINWORX® Milling Cutters with machine tools without internal coolant supply unit (ICS), but also for all other tooling systems using internal coolant supply. It is compatible with the whole Pokolm reduction- and extension program.

Maximum recommend revolution per minute for extended lifetime: s max 6.000 rpm

At the moment there is lower stock, program and availability will be increased during the next month. For higher amount please consider a delivery time of approximate 5 weeks.

For reparation please send back Rotary Feed Through Coolant Arbor to Pokolm. Repairing time will be between 5 and 10 working days, depending on damaged condition.

### SK40 / DIN 69871 // Discount Group RG40

	catalogue no:	d <sub>1</sub>	l <sub>3</sub>	d <sub>3</sub>	d <sub>4</sub>	d <sub>2</sub>	Form / DIN	A	l <sub>1</sub>	Price
	30 12 750 DDLS	M12	30	21	25	SK 40	DIN 69871	94,1	12	758 €
	30 16 750 DDLS	M16	30	29	30	SK 40	DIN 69871	94,1	12	785 €
	30 22 750 DDLS	22	30	48	50	SK 40	DIN 69871	94,1	-	840 €
	30 ER32 750 DDLS	ER32	30	58	58	SK 40	DIN 69871	94,1	-	1290 €

### BT40 / JIS B 6339 // Discount Group RG40

	catalogue no:	d <sub>1</sub>	l <sub>3</sub>	d <sub>3</sub>	d <sub>4</sub>	d <sub>2</sub>	Form / DIN	A	l <sub>1</sub>	Price
	30 12 754 DDLS	M12	30	21	25	BT 40	JIS B 6339	102	12	a.A. €
	30 16 754 DDLS	M16	30	29	30	BT 40	JIS B 6339	102	12	a.A. €
	30 22 754 DDLS	22	30	48	50	BT 40	JIS B 6339	102	-	a.A. €



HSK63 A / DIN 69893 // Discount Group RG40

	catalogue no:	d <sub>1</sub>	l <sub>3</sub>	d <sub>3</sub>	d <sub>4</sub>	d <sub>2</sub>	Form / DIN	A	l <sub>1</sub>	Price
	30 12 A63 DDLS	M12	30	21	25	HSK 63	Form A	101	12	840 €
	30 16 A63 DDLS	M16	30	29	30	HSK 63	Form A	101	12	840 €
	30 22 A63 DDLS	22	30	48	50	HSK 63	Form A	101	-	860 €

SK50 / DIN 69871 // Discount Group RG40

	catalogue no:	d <sub>1</sub>	l <sub>3</sub>	d <sub>3</sub>	d <sub>4</sub>	d <sub>2</sub>	Form / DIN	A	l <sub>1</sub>	Price
	50 27 710 DDLS	27	50	62	65	SK 50	DIN 69871	119,1	-	1090 €

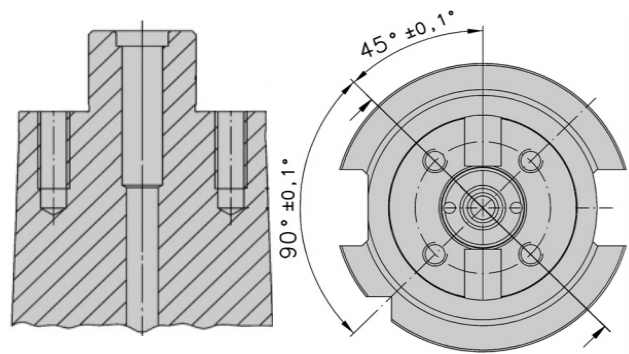
BT50 / JIS B 6339 // Discount Group RG40

	catalogue no:	d <sub>1</sub>	l <sub>3</sub>	d <sub>3</sub>	d <sub>4</sub>	d <sub>2</sub>	Form / DIN	A	l <sub>1</sub>	Price
	50 27 714 DDLS	27	50	62	65	BT 50	JIS B 6339	138	-	1090 €



All shell-type arbors will be delivered with fixing holes for combined adapters. All existing Shell-type extensions and Thread connection – Shell-type Combi Adapters can be directly fixed.

Hence, all connections from Shell-type extension, threaded shank to threaded reductions are possible.



Catalogue No.	Tool	Diameter of Spigot	Extensions length	Dimensions			Screws*
				A	B	C	
60 22 Mxx 783	Thread connection – Shell-type Combi Adapters	Ø 22	60	Ø 35	20	25	M 6 x 25
100 22 Mxx 783	Thread connection – Shell-type Combi Adapters	Ø 22	100	Ø 35	20	25	M 6 x 25
60 27 Mxx 783	Thread connection – Shell-type Combi Adapters	Ø 27	60	Ø 44,5	20	25	M 8 x 25
100 27 Mxx 783	Thread connection – Shell-type Combi Adapters	Ø 27	100	Ø 44,5	20	25	M 8 x 25
50 22 782	Shell-type Extensions	Ø 22	50	Ø 35	20	25	M 6 x 55
100 22 782	Shell-type Extensions	Ø 22	100	Ø 35	20	25	M 6 x 55
50 27 782	Shell-type Extensions	Ø 27	50	Ø 44,5	20	25	M 8 x 55
100 27 782	Shell-type Extensions	Ø 27	100	Ø 44,5	20	25	M 8 x 55

\*For fixing an adapter, you need 4 screws, included in extent of supply.

#### Shell-type reduction // Discount Group RG40

	catalogue no:	d <sub>1</sub>	l <sub>3</sub>	d <sub>3</sub>	d <sub>4</sub>	d <sub>2</sub>	Form / DIN	A	l <sub>1</sub>	Price
	50 27 22 782-1	22	50	48	62	27	-	-	-	101 €

Shipment includes 4pieces M8x20mm DIN912 cylinder head screw



Sealed Collet Chuck ER32 // Discount Group RG70

	catalogue no:	d <sub>1</sub>	l <sub>3</sub>	d <sub>3</sub>	d <sub>4</sub>	d <sub>2</sub>	Form / DIN	A	l <sub>1</sub>	Price
	ER32 06 DD	6	-	-	-	ER32	-	-	-	64€
	ER32 08 DD	8	-	-	-	ER32	-	-	-	64€
	ER32 10 DD	10	-	-	-	ER32	-	-	-	64€
	ER32 12 DD	12	-	-	-	ER32	-	-	-	64€
	ER32 16 DD	16	-	-	-	ER32	-	-	-	64€
	ER32 20 DD	20	-	-	-	ER32	-	-	-	64€

suitable with 30 ER32 750 DDLS

**additional accessories:**

catalogue no:	description
Z DD 1MHDS	1Meter Hydraulic flexible pipe with coupling
Z DD 1ARLS	mechanical Stop unit for air supply
Z DD 145LS	air supply unit 45° offset
Z DD 11418	reduction air supply 1/4" to 1/8"